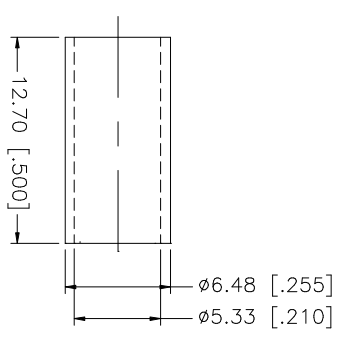
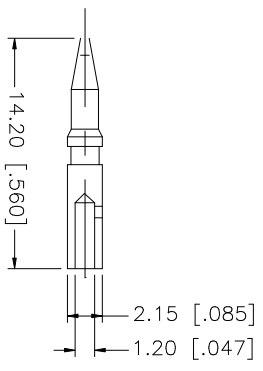
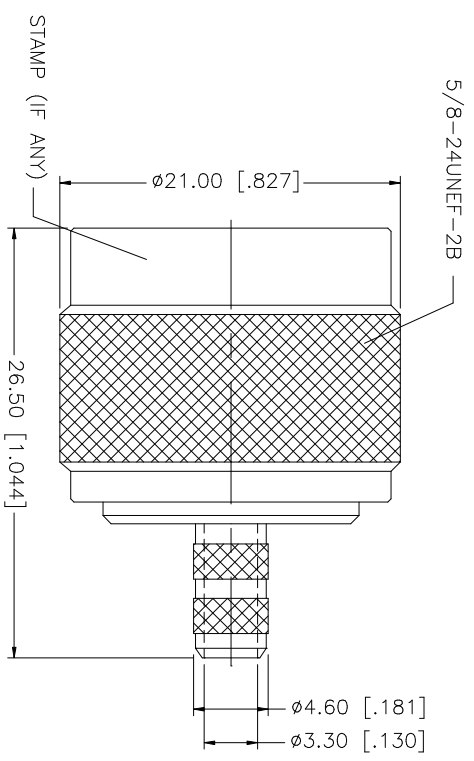
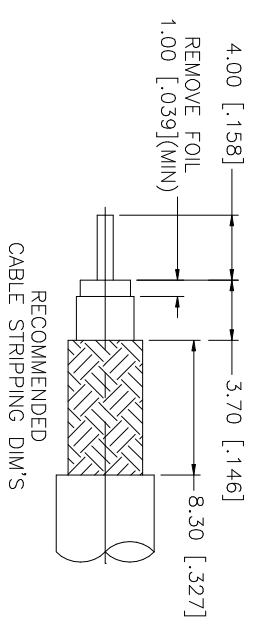


REV.	DATE	DESCRIPTION
A	04/31/03	UPDATE DRAWING FORMAT
B	02/24/04	MODIFY DESCRIPTION



NOTES:

1. CRIMPED FERRULE
HEX CRIMP SIZE .213"
2. CRIMPED CONTACT PIN
HEX CRIMP SIZE .068"

NO.	DESCRIPTION	MATERIAL	FINISH	QTY	DO NOT SCALE DRAWING	APPROVALS	DATE	PART DESCRIPTION	PART NO.	DWG. NO.	REV.	SIZE	SCALE
8					UNLESS OTHERWISE SPECIFIED DIMENSIONS ARE IN MILLIMETERS. DIMENSIONS IN [] ARE IN INCHES AND FOR CUSTOMER REFERENCE ONLY.			Amphenol Connex N CRIMP PLUG (LMR200 CABLE)		172214.DWG	B	A	NA
7					UNLESS OTHERWISE SPECIFIED TOLERANCES FOR MILLIMETERS ARE:								
6					0.5 - 8mm ± 0.20mm	DRAWN	02/24/04						
5					8 - 30mm ± 0.40mm	G.R.S.							
4	FERRULE	COPPER	NEXCOTE	1	30 - 120mm ± 0.50mm	CHECKED							
3	CONTACT PIN	BRASS	GOLD	1	UNLESS OTHERWISE SPECIFIED TOLERANCES FOR INCHES ARE:	ISSUED							
2	INSULATOR	TEFLON	NATURAL	1	0.20 - .315 = ± 0.007"	SHEET	1 OF 1						
1	BODY	BRASS	NEXCOTE	1	.315 - 1.180 = ± 0.015" 1.180 - 4.724 = ± 0.020"	CAD FILE							
	DESCRIPTION					C:/172/172214.DWG							