

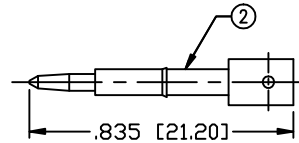
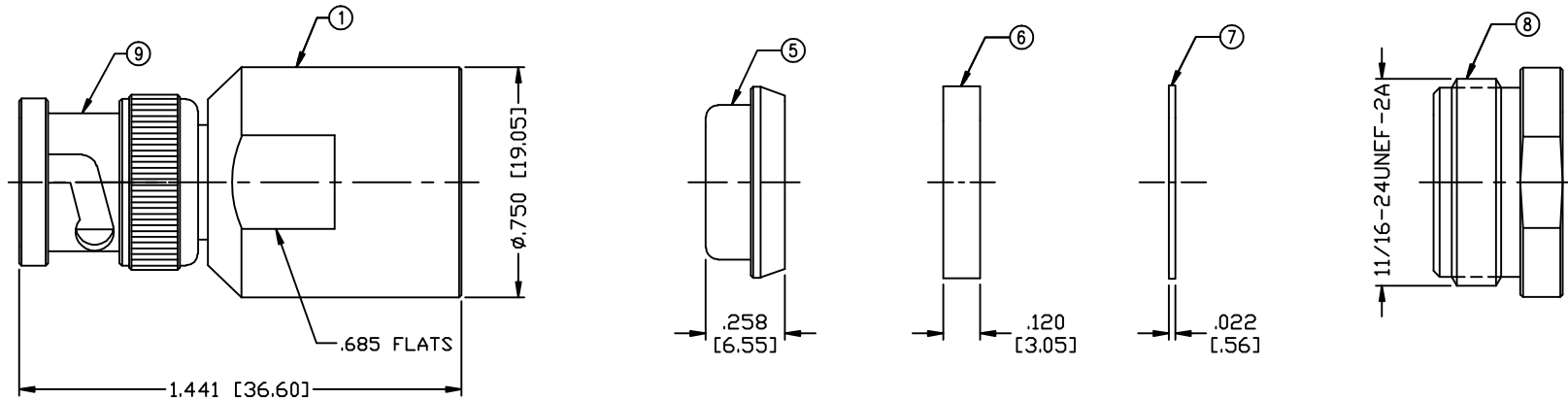
THIS DRAWING CONTAINS INFORMATION PROPRIETARY TO RF INDUSTRIES,
 ANY UNAUTHORIZED USE OF THIS DRAWING IS EXPRESSLY PROHIBITED
 WITHOUT WRITTEN PERMISSION FROM RF INDUSTRIES.
 ANY VIOLATION IS PUNISHABLE UNDER U.S. COPYRIGHT LAWS.

ALL DIMENSIONS ARE REFERENCE ONLY

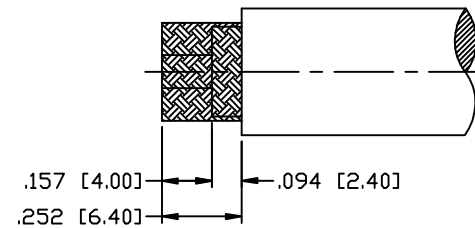
PART NO.

RFB-1101-1SI

REV	DESCRIPTION	DWN	DATE	APPROVED
D	CHANGE SHELL, BODY, PIN & DIE DIMENSIONS	CZS	4/7/99	R. RICE
E	LENGTHEN DIE, PIN, & BODY / ADD DIM TO CLAMP	CZS	6/23/99	R. RICE
F	CHANGE OVERALL DIMENSIONS, STRIPING & FORMAT	CZS	8/20/01	JDMc
G	ADDED SOLDER ONLY NOTE & UPDATED ELECTRICAL SPECS	CZS	8/8/06	JDMc



RECOMMENDED CRIMP DIE: .128"
 "SOLDER ONLY" FOR RG-8/U TYPE CABLE



RECOMMENDED STRIPPING DIMENSIONS

SPECIFICATIONS:

IMPEDANCE: 50 Ohms
 FREQUENCY RANGE: 0-4 GHz
 VSWR: 1.3 Max.
 WORKING VOLTAGE: 500 V rms @ sea level
 TEMPERATURE RANGE: -65°C TO 85°C
 INSULATION RESISTANCE: 5k M Ohms min.
 FOR BELDEN 8214, 9913, 9913F, 9914, RG-8/U TYPE,
 CAROL C1180, TIMES AA-5886 & LMR-400 CABLE

1	BODY	1	BRASS	SILVER, 80 μ"	000486	
2	PIN	1	BRASS	GOLD, 3 μ"		
3	DIELECTRIC	1	PTFE	---		
4	PRESS FIT	1	BRASS	SILVER, 80 μ"		
5	CLAMP	1	BRASS	SILVER, 80 μ"		
6	GASKET	1	RUBBER	---		
7	WASHER	1	BRASS	SILVER, 80 μ"		
8	BACK NUT	1	BRASS	SILVER, 80 μ"		
9	SHELL	1	BRASS	SILVER, 80 μ"		
10	WASHER	1	BRASS	SILVER, 80 μ"	DRAWN	
11	SPRING	1	SK-5	SILVER, 80 μ"	C. ZUNIGA	
12	LOCK WASHER	1	BRASS	SILVER, 80 μ"	CHECKED	
13	GASKET	1	RUBBER	---	ORJ DRAWN	
14					P. BREAUX	
#	DESCRIPTION	QTY	MATERIAL	FINISH	APPROVALS	DATE

UNLESS OTHERWISE SPECIFIED:

- REMOVE ALL BURRS
- BREAK ALL CORNERS & EDGES .005 R. MAX.
- CHAMFER 1ST & LAST THREADS 45°
- SURFACE ROUGHNESS 63 FINISH MIL-STD-10
- DIAMETERS ON COMMON CENTERS TO BE CONCENTRIC WITHIN .002 T.I.R.
- ALL DIMENSIONS ARE AFTER PLATING.

DIMENSIONS ARE IN INCHES
 AND [MILLIMETERS]

UNLESS OTHERWISE NOTED
 TOLERANCES ARE:

DECIMALS	DIAMETER
.xxx±.003 [.08]	.xxx±.001 [.03]
.xx±.005 [.13]	.xx±.003 [.08]

RFconnectors
 DIVISION OF RF INDUSTRIES, LTD.

7610 MIRAMAR RD
 SAN DIEGO, CA 92126
 (858) 549-6340
 (858) 549-6345 FAX

BNC MALE, CLAMP

SIZE	CABLE GROUP	DWG NO.	REV
A	I	RFB-1101-1SI	G
SCALE: NTS		CAD FILE OUTLINE	SHEET 1 OF 1