

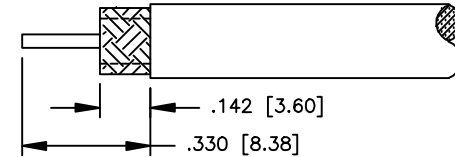
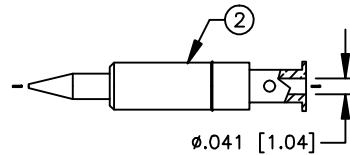
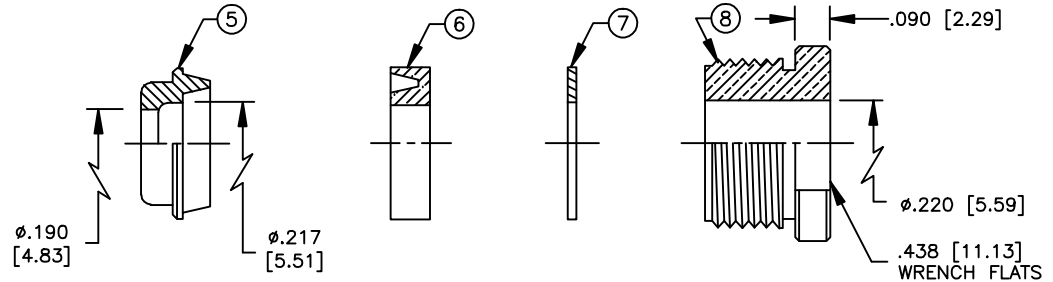
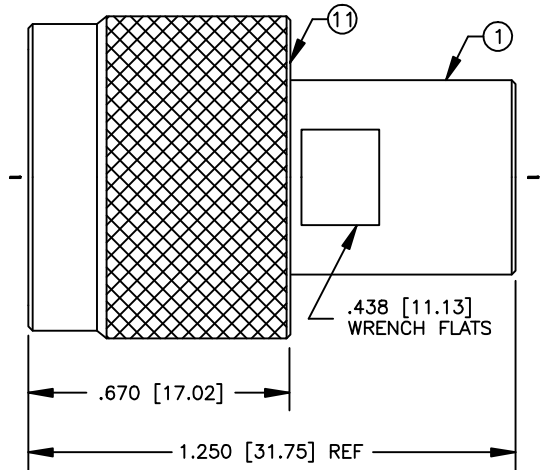
SPECIFICATION CONTROL DRAWING

THIS DRAWING CONTAINS INFORMATION PROPRIETARY TO RF INDUSTRIES, LTD. ANY UNAUTHORIZED USE OF THIS DRAWING IS EXPRESSLY PROHIBITED. ANY VIOLATION IS PUNISHABLE UNDER U.S. COPYRIGHT LAWS.

REV	DESCRIPTION	DWN	DATE	APPROVED
H	STANDARDIZE SHELL / CHG BODY & STRIP INST DIMENSIONS	CZS	4/21/99	R. RICE
J	CHANGE ITEM #5, #7 & #8 DIMENSIONS TO FIT C1 CBL	CZS	1/17/00	J. D. McR
K	CHANGE ITEM #8 ID	CZS	5/10/00	J. D. McR
L	ADJUSTED STRIP LENGTH FROM .130" TO .142"	JDM	5/15/00	JDM

000000

ALL DIMENSIONS ARE REFERENCE ONLY



SPECIFICATIONS:

IMPEDANCE: 50 Ohms
 WORKING VOLTAGE: 1000 VRMS @ SEA LEVEL
 FREQUENCY RANGE: 0-11 GHz
 INSERTION LOSS: ≤ -2 dB @ 10 GHz
 VSWR MAX: 1.3:1 @ 9 GHz
 (C) FOR RG-58, 58A, 58C, 141, 141A, BELDEN 8240, 8259, 8262, 9201, 9203, 9310, 9311 & COMM/SCOPE 0268
 (C1) FOR RG-55, 55A, 55B, 142, 142A, 142B, 223 & 400/U, ALPHA 9055, 9055B, 9223, BELDEN 8219, 83242, 84142, 9907
 INTERFACE PER MIL-STD-348A, SECTION 304.1

SUGGESTED STRIPPING INSTRUCTIONS

SUGGESTED CRIMP DIE: .068

ITEM	DESCRIPTION	QTY	MATERIAL	FINISH
11	SHELL	1	BRASS	SILVER
10	GASKET	1	S.I. RUBBER	RED
9	RETAINING RING	1	SK-5	NONE
8	BACK NUT	1	BRASS	SILVER
7	WASHER	1	BRASS	SILVER
6	GASKET	1	S.I. RUBBER	RED
5	CLAMP	1	BRASS	SILVER
4	GROUND RING	1	BRASS	SILVER
3	DIELECTRIC	1	PTFE	NONE
2	PIN [PIN-303-10]	1	BRASS	GOLD
1	BODY	1	BRASS	SILVER

DIMENSIONS ARE IN INCHES AND [MILLIMETERS]

UNLESS OTHERWISE NOTED TOLERANCES ARE:
DECIMALS DIAMETER

DRAWN
C. ZUNIGA 5/15/00

CHECKED

ORJ DRAWN
C. JONES 9/23/91

APPROVALS DATE

RFconnectors
DIVISION OF RF INDUSTRIES, LTD.

7610 MIRAMAR RD
SAN DIEGO, CA 92126
(858) 549-6340
(858) 549-6345 FAX

RFN-1000-1S/UG-536A/U

N MALE CLAMP

SIZE	CABLE GROUP	DWG NO.	REV
A	C & C1	7254	K

SCALE: 2:1 CAD FILE 13ARC B SHEET 1 OF 1