

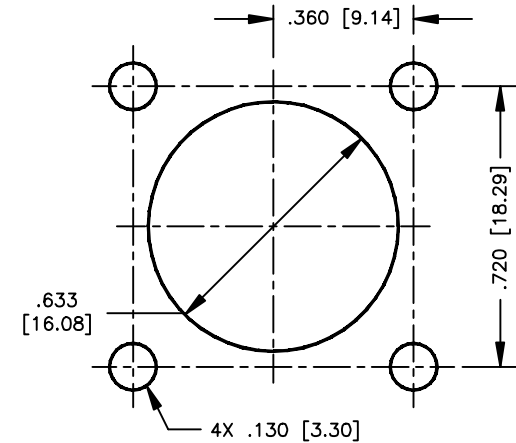
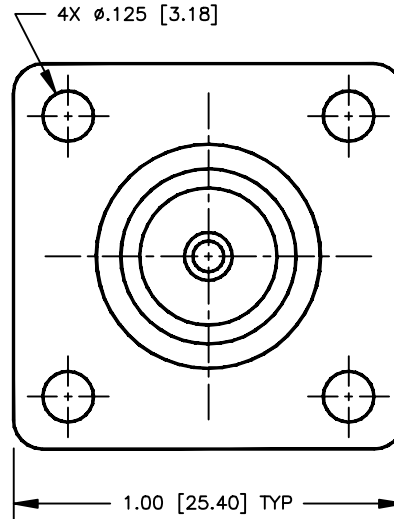
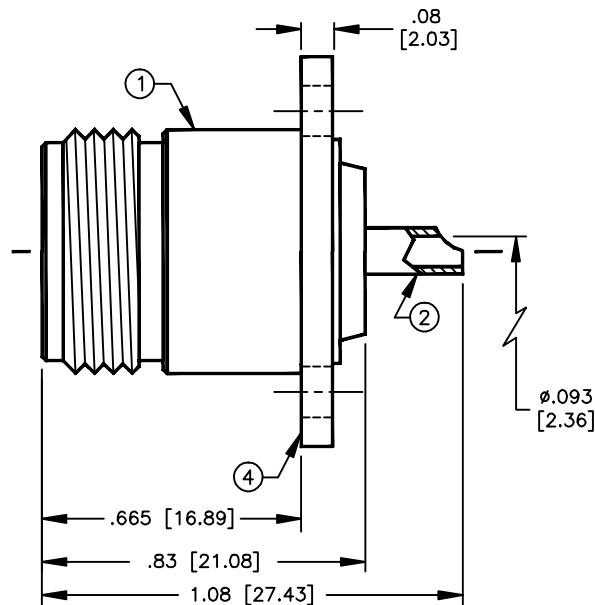
# SPECIFICATION CONTROL DRAWING

THIS DRAWING CONTAINS INFORMATION PROPRIETARY TO RF INDUSTRIES, LTD. ANY UNAUTHORIZED USE OF THIS DRAWING IS EXPRESSLY PROHIBITED. ANY VIOLATION IS PUNISHABLE UNDER U.S. COPYRIGHT LAWS.

REV	DESCRIPTION	DWN	DATE	APPROVED
D	CHG CABLE CONTACT TO .093 \ CREATE SECTION DRAWING	KMM	2/23/95	R. RICE
E	CHG TO 1 PC DIELECTRIC \ CHG CONTACT AND ADD KNURL	KMM	8/20/97	R. RICE
F	CHANGE PRESS-FIT NOTE	CZS	1/7/99	R. RICE
G	CHG TOL ON LENGHTS \ ADD INTERFACE TO ENV DWG	CZS	3/22/99	R. RICE

ALL DIMENSIONS ARE REFERENCE ONLY

000000



SUGGESTED MOUNTING CONFIG

## SPECIFICATIONS:

IMPEDANCE: 50 OHMS  
 WORKING VOLTAGE: 1000 VRMS @ SEA LEVEL  
 FREQUENCY RANGE: 0-11 GHz  
 INTERFACE PER MIL-STD-348A, SECTION 304.21

DIMENSIONS ARE IN INCHES AND [MILLIMETERS]

UNLESS OTHERWISE NOTED TOLERANCES ARE:  
 DECIMALS DIAMETER

**RFconnectors**  
 DIVISION OF RF INDUSTRIES, LTD.

7610 MIRAMAR RD  
 SAN DIEGO, CA 92126  
 (619)549-6340  
 (619)549-6345 FAX

## RFN-1021

N FEMALE FRONT MOUNT 4 HOLE FLANGE

ITEM	DESCRIPTION	QTY	MATERIAL	FINISH	APPROVALS	DATE
4	PRESS FIT FLANGE	1	BRASS	SILVER	C. ZUNIGA	3/22/99
3	DIELECTRIC	1	PTFE	NONE	CHECKED	
2	CONTACT	1	BRASS	GOLD	ORJ DRAWN	
1	BODY	1	BRASS	SILVER	P. BREAUX	8/27/92

SIZE	CABLE GROUP	DWG NO.	REV
A	N/A	8087	G

SCALE: 2:1      CAD FILE 13ARC B      SHEET 1 OF 1