

THIS DRAWING CONTAINS INFORMATION PROPRIETARY TO RF INDUSTRIES.
 ANY UNAUTHORIZED USE OF THIS DRAWING IS EXPRESSLY PROHIBITED
 WITHOUT WRITTEN PERMISSION FROM RF INDUSTRIES.
 ANY VIOLATION IS PUNISHABLE UNDER U.S. COPYRIGHT LAWS.

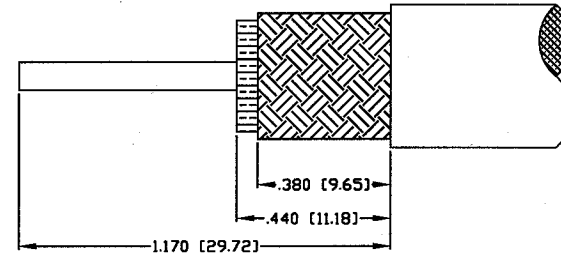
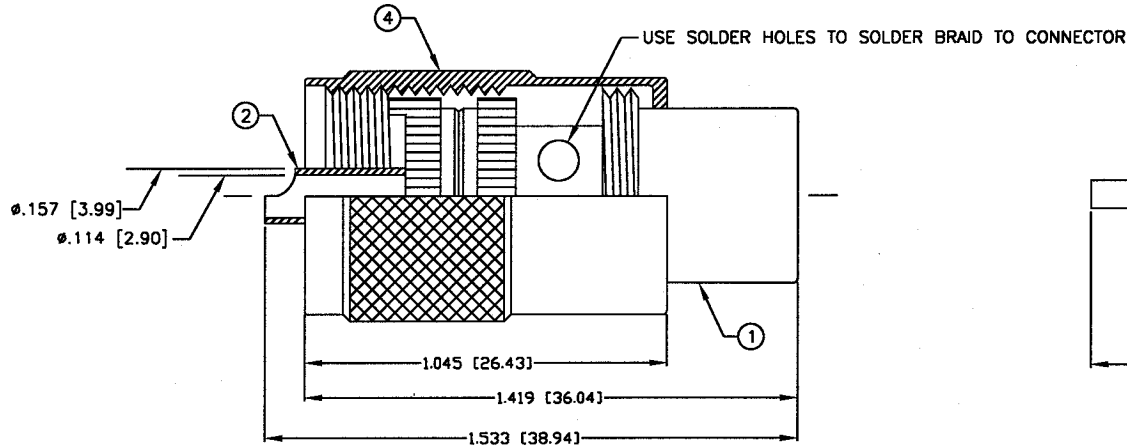
ALL DIMENSIONS ARE REFERENCE ONLY

PART NO.

RFU-500

REV	DESCRIPTION	DWN	DATE	APPROVED
J	ADD DIELECTRIC SUPPLIER TO SPECIFICATION NOTES	KMM	2/9/95	R. RICE
K	CHANGE DIELECTRIC CONFIGURATION	KMM	10/30/95	R. RICE
L	CHANGE STRIPPING INSTRUCTIONS	CZS	8/12/97	R. RICE
M	CHG OVERALL LENGHT, DWG# 8122 & REMOVE P/N FROM CONN.	GGG	2/7/02	JDMc

ALTERNATE STRIPPING REQUIRED WHEN USING REDUCERS



RECOMMENDED STRIPPING INSTRUCTIONS

SPECIFICATIONS:

IMPEDANCE: NON CONSTANT
 FREQUENCY RANGE: 0-300 MHz
 VOLTAGE RATING: 500 VOLTS RMS

(E) FOR RG-8, 8A, 213/U
 (F) FOR RG-9, 9A, 9B, 214/U
 (I) FOR BELDEN 9913, 9914, RG-8/U TYPE, RG-393/U & TIMES LMR-400
 W/RFU-530 REDUCER

(C) FOR RG-58, 58A, 58C, 141, 141A, 400/U
 (C1) FOR RG-55, 55A, 55B, 142, 142A, 142B & 223/U
 W/RFU-531 REDUCER

(D) FOR RG-59, 59A, 59B, 62, 62A, 62C 71, 140 & 210/U
 (P) FOR ANTENNA SPECIALIST K214 & PRO-FLEX 800, TIMES AA3096 &
 COMM/SCOPE 2278 & 2279 CABLE
 (X) FOR RG-8/X & 30/U, BELDEN 9258, TIMES LMR-240 &
 LMR-240 ULTRAFLEX

REFER TO RF INDUSTRIES CATALOG FOR MORE EXTENSIVE CABLE LISTING

1	BODY	1	BRASS	SILVER, 30μ"	000494	
2	PIN	1	BRASS	SILVER, 30μ"		
3	DIELECTRIC	1	D.A.P.	PANTONE 129		
4	SHELL	1	BRASS	NICKEL, 80μ"		
5						
6						
7						
8						
9						
10						
11						
12						
13						
14						
#	DESCRIPTION	QTY	MATRL	FINISH	APPROVALS	DATE

UNLESS OTHERWISE SPECIFIED:
 1. REMOVE ALL BURRS
 2. BREAK ALL CORNERS & EDGES .005 R. MAX.
 3. CHAMFER 1ST & LAST THREADS 45°
 4. SURFACE ROUGHNESS 63 FINISH MIL-STD-10
 5. DIAMETERS ON COMMON CENTERS TO BE CONCENTRIC WITHIN .002 T.I.R.
 6. ALL DIMENSIONS ARE AFTER PLATING.

DIMENSIONS ARE IN INCHES AND [MILLIMETERS]

UNLESS OTHERWISE NOTED TOLERANCES ARE:

DECIMALS	DIAMETER
.xxx±.003 [.08]	.xxx±.001 [.03]
.xx±.005 [.13]	.xx±.003 [.08]

DRAWN
G. GALLEGOS 2/07/02
 CHECKED *JDM* 2-7-02
 ORJ DRAWN
S. SMITH 5/29/90

RF connectors
 DIVISION OF RF INDUSTRIES, LTD.

7610 MIRAMAR RD
 SAN DIEGO, CA 92126
 (858) 549-6340
 (858) 549-6345 FAX

UHF PLUG SOLDER

SIZE	CABLE GROUP	DWG NO.	REV
A	C, C1, D, E, F, I, P, X	RFU-500	—
SCALE: NTS		CAD FILE OUTLINE	SHEET 1 OF 1