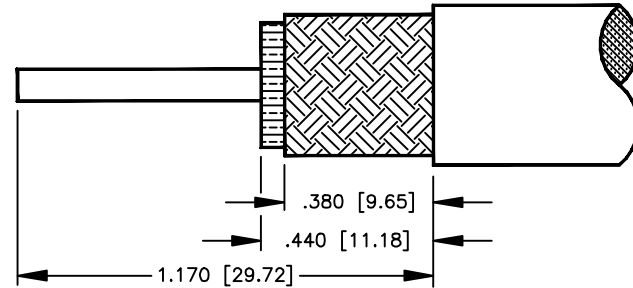
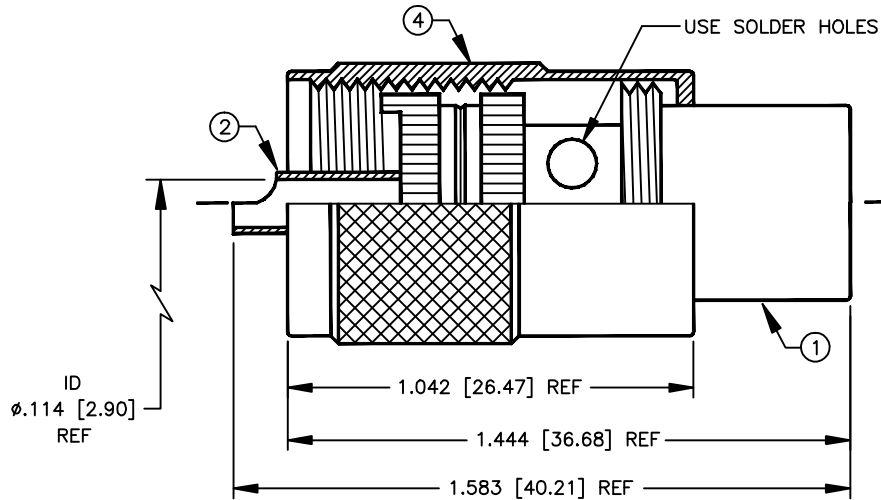


SPECIFICATION CONTROL DRAWING

THIS DRAWING CONTAINS INFORMATION PROPRIETARY TO RF INDUSTRIES, LTD. ANY UNAUTHORIZED USE OF THIS DRAWING IS EXPRESSLY PROHIBITED. ANY VIOLATION IS PUNISHABLE UNDER U.S. COPYRIGHT LAWS.

REV	DESCRIPTION	DWN	DATE	APPROVED
D	ADD BODY DIMENSION	KMM	3/20/95	R. RICE
E	CHANGE DIELECTRIC CONFIGURATION	KMM	10/30/95	R. RICE
F	ENLARGE DIELECTRIC ID \ CHANGE CONTACT CONFIGURATION	KMM	1/11/96	R. RICE
G	CHANGE STRIPPING INSTRUCTIONS	CZS	8/11/97	R. RICE

ALTERNATE STRIPPING REQUIRED WHEN USING REDUCERS



SUGGESTED STRIPPING INSTRUCTIONS

SPECIFICATIONS:

VOLTAGE RATING: 500 VOLTS RMS
 IMPEDANCE: NON CONSTANT
 FREQUENCY RANGE: 0-300
 (E) FOR RG-8, 8A, 213/U
 (F) FOR RG-9, 9A, 9B, 214/U
 (I) FOR BELDEN 9913, 9914, RG-8/U TYPE, RG-393/U & TIMES LMR-400 W/RFU-530 REDUCER;
 (C) FOR RG-58, 58A, 58C, 141, 141A, 400/U
 (C1) FOR RG-55, 55A, 55B, 142, 142A, 142B & 223/U
 W/RFU-531 REDUCER;
 (D) FOR RG-59, 59A, 59B, 62, 62A, 62C 71, 140 & 210/U
 (P) FOR ANTENNA SPECIALIST K214 & PRO-FLEX 800, TIMES AA3096 & COMM/SCOPE 2278 & 2279 CABLE
 (X) FOR RG-8/X & 30/U, BELDEN 9258, TIMES LMR-240 & LMR-240 ULTRAFLEX

REFER TO RF INDUSTRIES CATALOG FOR MORE EXTENSIVE CABLE LISTING

DIMENSIONS ARE IN INCHES AND [MILLIMETERS]

UNLESS OTHERWISE NOTED TOLERANCES ARE:

DECIMALS DIAMETER

RFconnectors
 DIVISION OF RF INDUSTRIES, LTD.

7610 MIRAMAR RD
 SAN DIEGO, CA 92126
 (619)549-6340
 (619)549-6345 FAX

RFU-501 \ PL-259

UHF MALE SOLDER PLUG

ITEM	DESCRIPTION	QTY	MATERIAL	FINISH
4	SHELL	1	BRASS	SILVER
3	DIELECTRIC	1	PTFE	NONE
2	PIN	1	BRASS	SILVER
1	BODY	1	BRASS	SILVER

DRAWN C. ZUNIGA	8/11/97
CHECKED	
ORJ DRAWN S. SMITH	7/17/90
APPROVALS	DATE

SIZE A	CABLE GROUP C,C1,D,E,F,I,P,X	DWG NO. 7313	REV G
SCALE: 2:1	CAD FILE 13ARC B	SHEET 1 OF 1	