

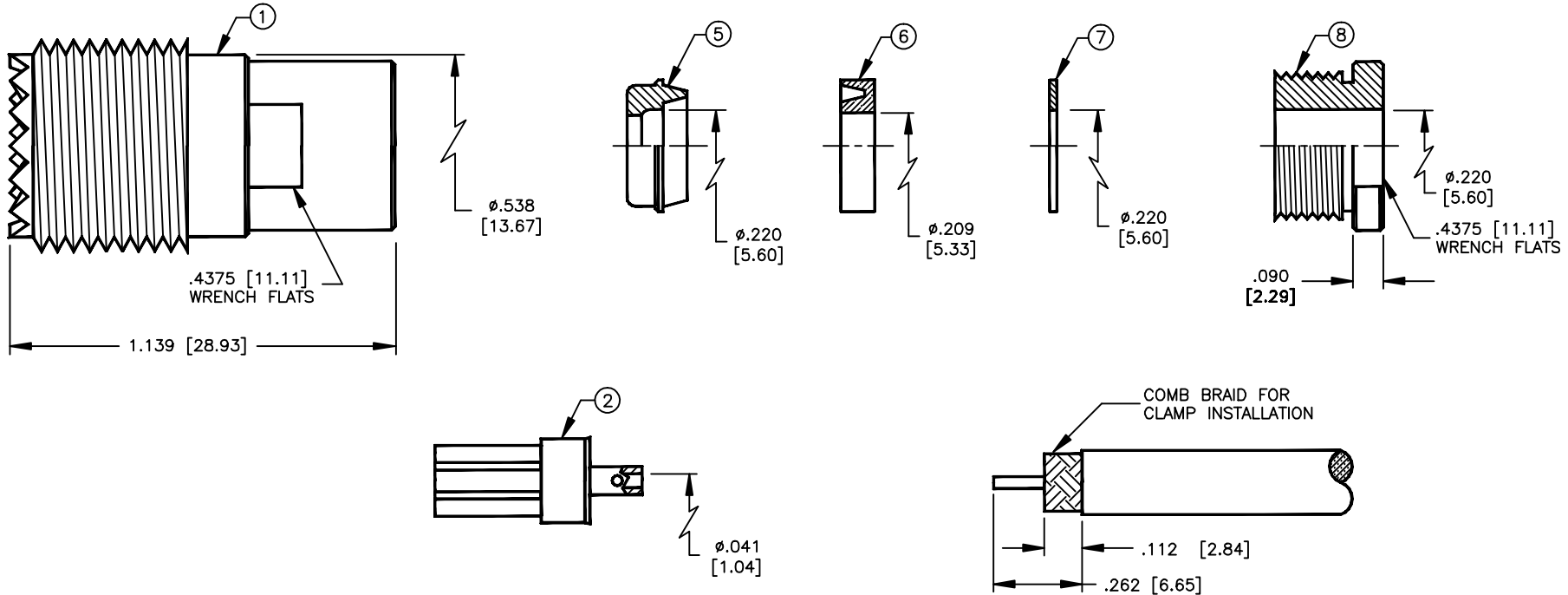
SPECIFICATION CONTROL DRAWING

THIS DRAWING CONTAINS INFORMATION PROPRIETARY TO RF INDUSTRIES, LTD. ANY UNAUTHORIZED USE OF THIS DRAWING IS EXPRESSLY PROHIBITED. ANY VIOLATION IS PUNISHABLE UNDER U.S. COPYRIGHT LAWS.

REV	DESCRIPTION	DWN	DATE	APPROVED
C	REMOVE PRESS FIT WASHER \ CHG PLACEMENT OF WRENCH FLAT	KMM	1/30/94	R. RICE
D	CHG TO WRENCH FLAT ITEM #8 \ UPDATE DWG	CZS	4/17/98	R. RICE
E	CHG CONTACT MATERIAL & DIMS THROUGHOUT TO STANDARDIZE	CZS	9/17/99	R. RICE
F	CHANGE BODY ID, CLAMP OD & STRIPING DIMS	CZS	7/23/02	JD Mc

ALL DIMENSIONS ARE REFERENCE ONLY

000000



SPECIFICATIONS:

CONTACT TO BE SOLDER ONLY - NO CRIMP

SUGGESTED STRIPPING INSTRUCTIONS

IMPEDANCE: NON CONSTANT
 WORKING VOLTAGE: 500 VRMS @ SEA LEVEL
 FREQUENCY RANGE: 0-300 MHz
 (C) FOR RG-58, 58A, 58C, 141, 141A, BELDEN 8240, 8259, 8262, 9201, 9203, 9310, 9311 & COMM/SCOPE 0268
 (C1) FOR RG-55, 55A, 55B, 142, 142A, 142B, 223 & 400/U, ALPHA 9055, 9055B, 9223, BELDEN 8219, 83242, 84142, 9907

DIMENSIONS ARE IN INCHES AND [MILLIMETERS]

UNLESS OTHERWISE NOTED TOLERANCES ARE:

DECIMALS DIAMETER

DRAWN C. ZUNIGA 7/23/02

CHECKED

ORJ DRAWN K. MAXWELL 12/24/93

APPROVALS DATE

RFconnectors
 DIVISION OF RF INDUSTRIES, LTD.

7610 MIRAMAR RD
 SAN DIEGO, CA 92126
 (858) 549-6340
 (858) 549-6345 FAX

RFU-520

UHF FEMALE CLAMP

SIZE	CABLE GROUP	DWG NO.	REV
A	C & C1	RFU-520	F

SCALE: 2:1

CAD FILE 13ARC B

SHEET 1 OF 1

ITEM	DESCRIPTION	QTY	MATERIAL	FINISH
8	END NUT	1	BRASS	NICKEL
7	WASHER	1	BRASS	NICKEL
6	GASKET	1	S.I.RUBBER	RED
5	CLAMP	1	BRASS	NICKEL
4	PRESS FIT WASHER	1	BRASS	NICKEL
3	DIELECTRIC	1	PTFE	NONE
2	CONTACT	1	PHOS BRONZE	SILVER
1	BODY	1	BRASS	NICKEL