

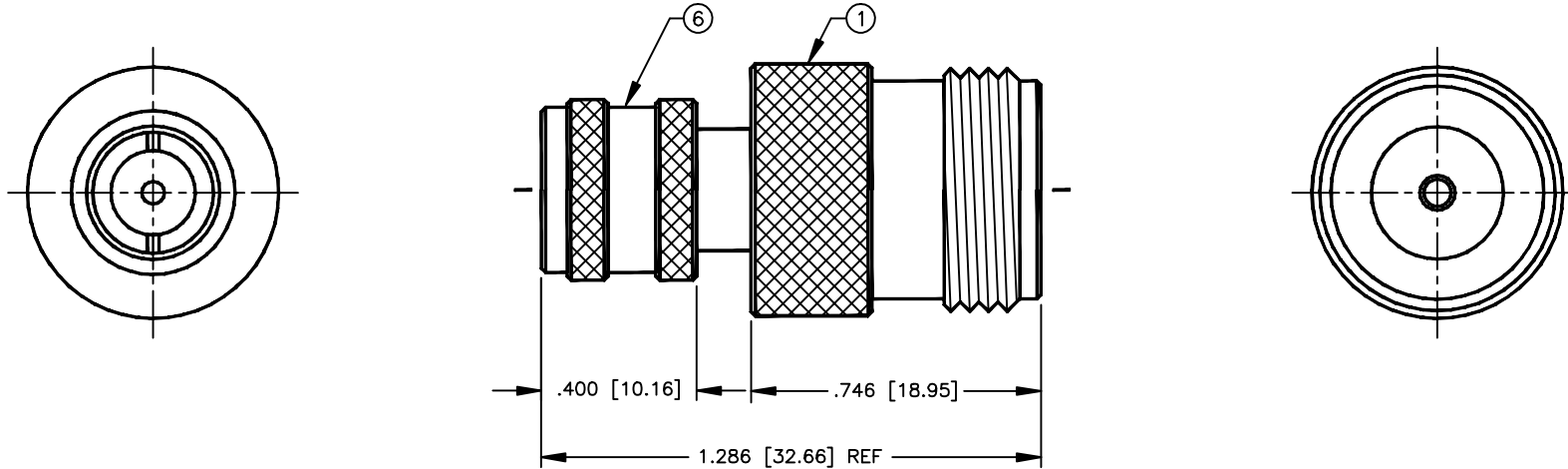
SPECIFICATION CONTROL DRAWING

THIS DRAWING CONTAINS INFORMATION PROPRIETARY TO RF INDUSTRIES, LTD. ANY UNAUTHORIZED USE OF THIS DRAWING IS EXPRESSLY PROHIBITED. ANY VIOLATION IS PUNISHABLE UNDER U.S. COPYRIGHT LAWS.

REV	DESCRIPTION	DWN	DATE	APPROVED
C	LENGTHEN M-UHF SHELL, CHG PIN LENGTH	KMM	2/22/94	C. JONES
D	LENGTHEN N FEMALE	KMM	1/9/96	R. RICE
E	CHANGE PIN & DIELECTRIC DIM	CZS	7/8/99	R. RICE
F	CHANGE PIN DIM	CZS	10/7/99	R. RICE

000000

ALL DIMENSIONS ARE REFERENCE ONLY



SPECIFICATIONS:

IMPEDANCE: 50 OHMS
 WORKING VOLTAGE: 325 VRMS @ SEA LEVEL
 FREQUENCY RANGE: 0-2.5 GHz

DIMENSIONS ARE IN INCHES AND [MILLIMETERS]

UNLESS OTHERWISE NOTED TOLERANCES ARE:
 DECIMALS DIAMETER

RFconnectors
 DIVISION OF RF INDUSTRIES, LTD.

7610 MIRAMAR RD
 SAN DIEGO, CA 92126
 (858) 549-6340
 (858) 549-6345 FAX

RFU-620

MINI UHF MALE TO N FEMALE ADAPTER

ITEM	DESCRIPTION	QTY	MATERIAL	FINISH	APPROVALS	DATE
6	SHELL	1	BRASS	NICKEL		
5	PRESS FIT GRD RING	1	BRASS	NICKEL		
4	RETAINING RING	1	SK-5	NONE		
3	DIELECTRIC	1	PTFE	NONE		
2	CONTACT	1	BRASS	GOLD		
1	BODY	1	BRASS	NICKEL		

DRAWN	C. ZUNIGA	10/7/99
CHECKED		
ORJ DRAWN	----	8/20/85

SIZE	CABLE GROUP	DWG NO.	REV
A	N/A	8139	F
SCALE:	2:1	CAD FILE	13ARC B
			SHEET 1 OF 1