

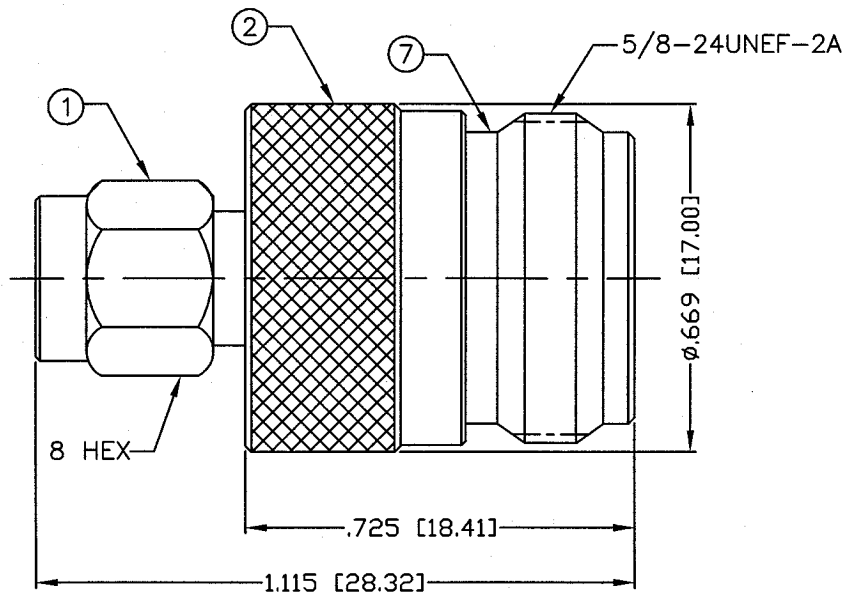
THIS DRAWING CONTAINS INFORMATION PROPRIETARY TO RF INDUSTRIES.
 ANY UNAUTHORIZED USE OF THIS DRAWING IS EXPRESSLY PROHIBITED
 WITHOUT WRITTEN PERMISSION FROM RF INDUSTRIES.
 ANY VIOLATION IS PUNISHABLE UNDER U.S. COPYRIGHT LAWS.

ALL DIMENSIONS ARE REFERENCE ONLY

PART NO.

RSA-3452

REV	DESCRIPTION	DWN	DATE	APPROVED
A	ENGINEERING RELEASE	KMM	4/08/94	F. VIERA
B	CREATE SECTION DWG.	KMM	6/6/94	R. RICE
C	CHANGE MATERIALS	KMM	10/2/96	R. RICE
D	CHANGE FORMAT, SPECS, & DWG # 8717	GGG	10/25/01	JDMc



SPECIFICATIONS:

IMPEDANCE: 50 Ohms
 FREQUENCY RANGE: 0-11 GHz
 WORKING VOLTAGE: 500 V rms Max. @ Sea Level
 INSULATION RESISTANCE: 5k M Ohms min.
 TEMPERATURE RANGE: -65°C TO 85°C

1	SHELL	1	BRASS	NICKEL, 100μ"
2	HOUSING	1	BRASS	NICKEL, 100μ"
3	RETAINING RING	1	BeCu	----
4	GASKET	1	SILICONE	----
5	PIN	1	PHOS BRONZE	GOLD, 3μ"
6	INSULATOR	1	PTFE	----
7	BODY	1	BRASS	NICKEL, 100μ"
8				
9				
10				
11				
12				
13				
14				
#	DESCRIPTION	QTY	MATERIAL	FINISH

009874

UNLESS OTHERWISE SPECIFIED:

1. REMOVE ALL BURRS
2. BREAK ALL CORNERS & EDGES .005 R. MAX.
3. CHAMFER 1ST & LAST THREADS 45°
4. SURFACE ROUGHNESS 63 FINISH MIL-STD-10
5. DIAMETERS ON COMMON CENTERS TO BE CONCENTRIC WITHIN .002 T.I.R.
6. ALL DIMENSIONS ARE AFTER PLATING.

DIMENSIONS ARE IN INCHES AND [MILLIMETERS]

UNLESS OTHERWISE NOTED TOLERANCES ARE:

DECIMALS	DIAMETER
.xxx±.003 [.08]	.xxx±.001 [.03]
.xx±.005 [.13]	.xx±.003 [.08]

DRAWN G. GALLEGOS 10/25/01

CHECKED *[Signature]* 10-25-01

ORJ DRAWN K. MAXWELL 4/8/94

APPROVALS DATE

RFconnectors
 DIVISION OF RF INDUSTRIES, LTD.

7610 MIRAMAR RD
 SAN DIEGO, CA 92126
 (858) 549-6340
 (858) 549-6345 FAX

SMA PLUG TO N JACK

SIZE	CABLE GROUP	DWG NO.	REV
A	N/A	RSA-3452	D
SCALE: NTS		CAD FILE OUTLINE	SHEET 1 OF 1